



FE8174/74V

Fisheye Network Camera



5MP • 360° Surround View • IP66 • Vandal-proof • Pixel Calculator • PPTZ • EN50155 Compliance

VIVOTEK's FE8174/74V is the latest fisheye fixed dome network camera from VIVOTEK, featuring a detailed 5-Megapixel resolution sensor with superb image quality. Equipped with a fisheye lens for 180° panoramic view (wall mount) or 360° surround view (ceiling/floor/table mount) without blind spots, the camera is able to provide coverage of wide, open areas, such as airports, shopping malls, parking lots, retail stores, offices and more.

The FE8174V offers various display layouts, including original surround view, panoramic view, and regional view for various mounting applications. With the latest cutting-edge image processing capabilities, hemispherical images captured from the fisheye camera can be converted into conventional rectilinear projection for viewing and analysis. Both are compatible with VIVOTEK's Panoramic PTZ solution, allowing users to simultaneously monitor an area overview from a fisheye model while providing a detailed regional view from a speed dome camera. In addition, in both the panoramic as well as regional viewing modes, users can utilize the ultra-smooth ePTZ function to easily zoom in and focus on a region of interest (ROI). The new cutting-edge Pixel Calculator function helps the user to ensure the image quality of a desired area.

As with all VIVOTEK true day/night cameras, the FE8174/74V features a removable IR-cut filter, maintaining clear images 24 hours a day. The FE8174V's IP66-rated housing is designed to help the camera body withstand rain and dust and ensures operation under a multitude of harsh weather conditions; additionally, the vandal-proof IK10-rated housing effectively provides robust protection from physical damage. Together with 802.3af compliant PoE, MicroSD/SDHC/SDXC card slot for on-board storage, EN50155 mobile surveillance and iPad applications, the FE8174V is indisputably the top choice for constructing a robust surveillance system with the greatest coverage possible.

Features

- 5-Megapixel CMOS Sensor
- 30 fps @ 1080p Full HD
- 1.5 mm Fisheye Lens for 180° Panoramic View and 360° Surround View
- Removable IR-cut Filter for Day & Night Function
- Real-time H.264, MPEG-4, and MJPEG Compression (Triple Codec)
- EN50155 Compliance for Professional Mobile Surveillance (FE8174V)
- WDR Enhancement for Unparalleled Visibility in Extremely Bright or Dark Environments
- Panoramic PTZ Function with Speed Dome Camera for monitoring detailed regional view
- Vandal-proof IK10-rated and Weather-proof IP66-rated Housing (FE8174V)
- ePTZ for Data Efficiency
- Built-in 802.3af Compliant PoE
- Built-in MicroSD/SDHC/SDXC Card Slot for On-board Storage
- Pixel Calculator for Image Clarity Measurement
- Support Local or Client Side Dewarping

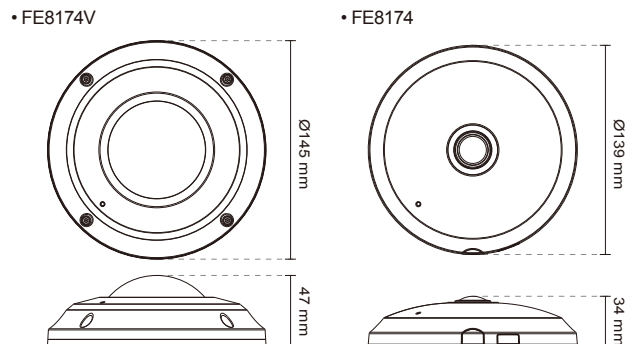


Technical Specifications

Models	FE8174/74V
System Information	
CPU	Multimedia SoC (System-on-Chip)
Flash	128 MB
RAM	256 MB
Camera Features	
Image Sensor	1/2.5" Progressive CMOS in 2560 x 1920 resolution
Maximum Resolution	1920x1920
Lens Type	Fixed-focal
Focal Length	f = 1.5 mm
Aperture	F2.8
Field of View	180° (Horizontal) 180° (Vertical) 180° (Diagonal)
Shutter Time	1/5 sec. to 1/32,000 sec.
WDR Technology	WDR Enhanced
Day/Night	Removable IR-cut filter for day & night function
Minimum Illumination	0.03 Lux @ F2.8, 50 IRE (Color) 0.001 Lux @ F2.8, 50 IRE (BW)
Pan/tilt/zoom Functionalities	ePTZ: 12x digital zoom (12x on IE plug-in)
On-board Storage	Slot type: MicroSD/SDHC/SDXC card slot Seamless Recording
Video	
Compression	H.264, MJPEG & MPEG-4
Maximum Frame Rate	15 fps @ 1920x1920 30 fps @ 1920x1080 In all compression modes
Maximum Streams	3 simultaneous streams
S/N Ratio	Above 62 dB
Dynamic Range	57 dB
Video Streaming	Adjustable image size, quality and bit rate; Pixel counter; Time stamp, text overlay, flip & mirror; Configurable brightness, contrast, saturation, sharpness, white balance, exposure control, gain, backlight compensation, privacy masks; Scheduled profile settings
Audio	
Audio Capability	Two-way Audio (full duplex)
Compression	AAC, G.711, G.726
Interface	Built-in microphone External microphone input
Effective Range	5 meters
Network	
Users	Live viewing for up to 10 clients
Protocols	IPv4, IPv6, TCP/IP, HTTP, HTTPS, UPnP, RTSP/RTP/RTCP, IGMP, SMTP, FTP, DHCP, NTP, DNS, DDNS, PPPoE, CoS, QoS, SNMP, 802.1X, UDP, ICMP, ARP, SSL, TLS
Interface	10Base-T/100BaseTX Ethernet (RJ-45) *It is highly recommended to use standard Cat. 5e & Cat. 6 cables which are compliant with the 3P/ETL standard.
ONVIF	Supported, specification available at www.onvif.org
Intelligent Video	
Video Motion Detection	Five-window video motion detection

Alarm and Event	
Alarm Triggers	Motion detection, manual trigger, digital input, periodical trigger, system boot, recording notification, camera tampering detection
Alarm Events	Event notification using digital output, HTTP, SMTP, FTP, NAS server and SD Card File upload via HTTP, SMTP, FTP, NAS server and SD Card
General	
Connectors	RJ-45 cable connector for Network/PoE connection Audio input Audio output DC 12V power input Digital input*1 Digital output*1
LED Indicator	System power and status indicator
Power Input	DC 12V IEEE 802.3af PoE Class 2
Power Consumption	Max. 5.1 W (DC 12V) Max. 5.3 W (PoE)
Dimensions	Ø 145 x 47 mm (FE8174V) Ø 139 x 34 mm (FE8174)
Weight	Net: 545 g (FE8174V) Net: 358 g (FE8174)
Casing	Vandal-proof IK10-rated metal housing (FE8174V) Weather-proof IP66-rated housing (FE8174V)
Safety Certifications	CE, LVD, FCC Class A, VCCI, C-Tick, EN50155 (FE8174V), UL
Operating Temperature	Starting Temperature: -25°C ~ 50°C (-13°F ~ 122°F) Working Temperature: -40°C ~ 50°C (-40°F ~ 122°F)
Warranty	36 months
System Requirements	
Operating System	Microsoft Windows 7/Vista/XP/2000
Web Browser	Mozilla Firefox 7~43 (Streaming only) Internet Explorer 7/8/9
Other Players	VLC: 1.1.11 or above Quicktime: 7 or above
Included Accessories	
CD	User's manual, quick installation guide, Installation Wizard 2, VAST 32-channel recording software
Others	Quick installation guide, warranty card, alignment sticker, desiccant bag, screw driver, screws pack, I/O cable (sold separately in US and Canada), mounting bracket, software CD

Dimensions



Compatible Accessories

Mounting Kits



AM-520
Mounting Adapter

Power Adapter



AA-221
DC 12V Power Adapter